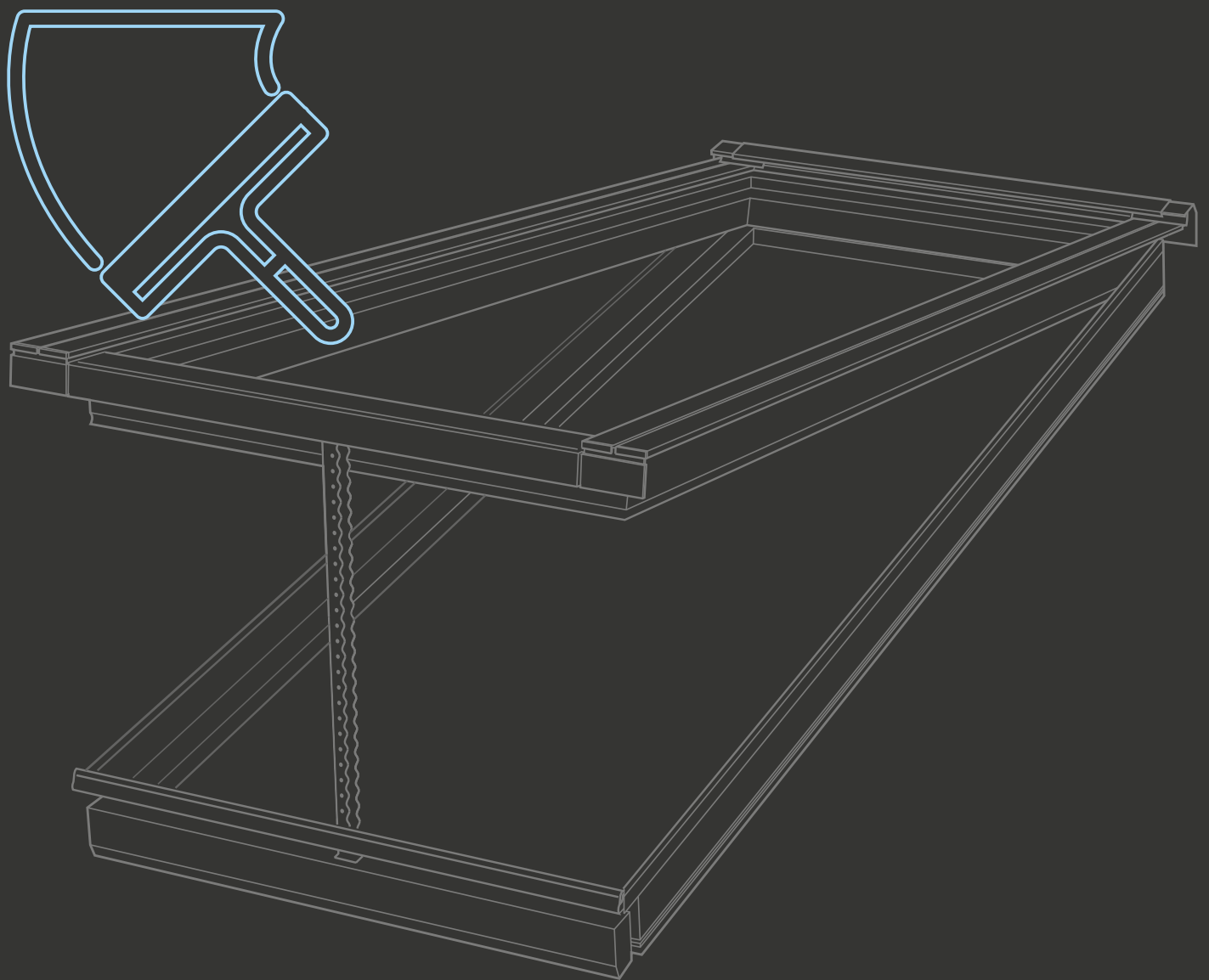


VELUX®

Commercial

VELUX Modular Skylights

Maintenance and Cleaning Guide



Materials

The main structural profiles of VELUX modular skylights consist of a pultruded composite material, containing approximately 80% fibreglass and 20% two-component polyurethane resin. The interior surface is as standard treated with a white waterbased coating.

The skylight modules are fitted with either a low-energy double/triple glazed unit. All glazing units are produced with warm edge technology which minimise the risk of condensation at the pane edges.

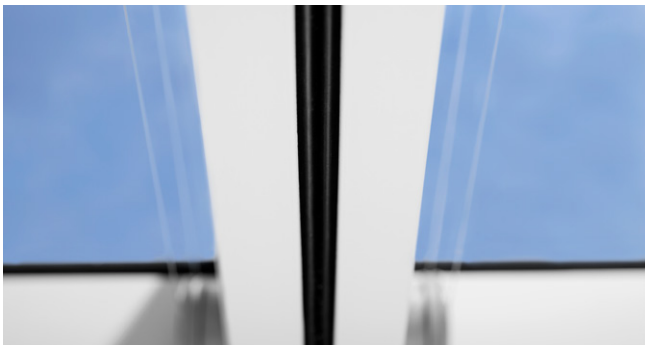
Gaskets are made of EPDM rubber. The mounting brackets are made of galvanized steel with chrome III coating, which under normal conditions will prevent corrosion during the entire lifespan of the skylight.



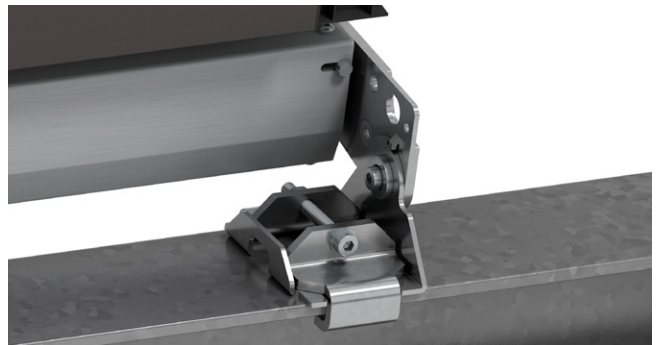
The interior surface is treated with an easy-to-clean white waterbased coating.



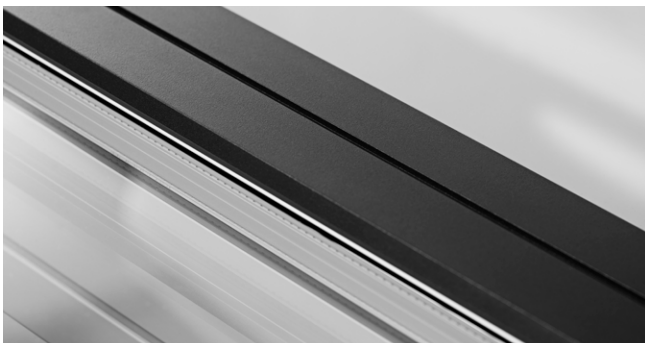
Warm edge technology minimises the risk of condensation at the pane edges.



A black gasket ensures seamless and tight connection between two modules.



Brackets of galvanized steel, to prevent corrosion.



Aluminum cladding parts are treated with a scratch resistant powder coating. Here the cladding between two modules.

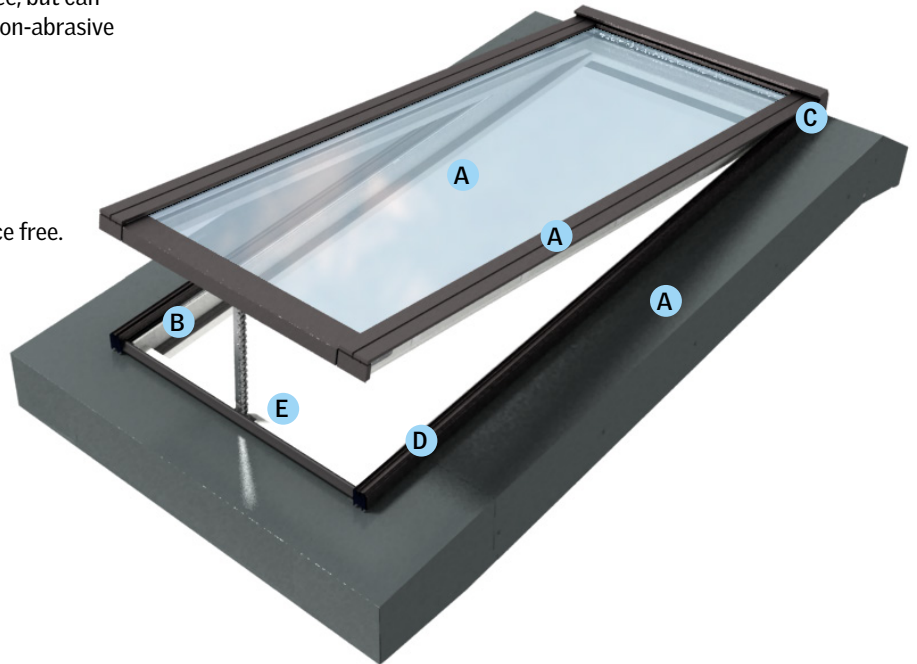


All flashing parts are aluminium, treated with a PVdf lacquer. Here a Longlight top with flashing and cladding.

External Maintenance and Cleaning

- A** Aluminium surfaces and panes can be cleaned with water and ordinary household non-abrasive and non-corrosive detergents.
- B** Polyurethane surfaces are maintenance free, but can also be cleaned using ordinary household non-abrasive and non-corrosive detergents.
- C** Hinges and brackets are maintenance free.
- D** Gaskets can be replaced.
- E** Actuator and actuator chain is maintenance free.

We recommend cleaning the skylights at least 1-2 times a year depending on the installation setting.



External Maintenance and Cleaning of Larger Solutions



Even though our modules are rigorously tested and hold several fall-through certifications, VELUX Commercial do NOT recommend walking or stepping on the modules.

You cannot walk or step on the flashings.

It can be dangerous to walk or step on the modules and window pane.



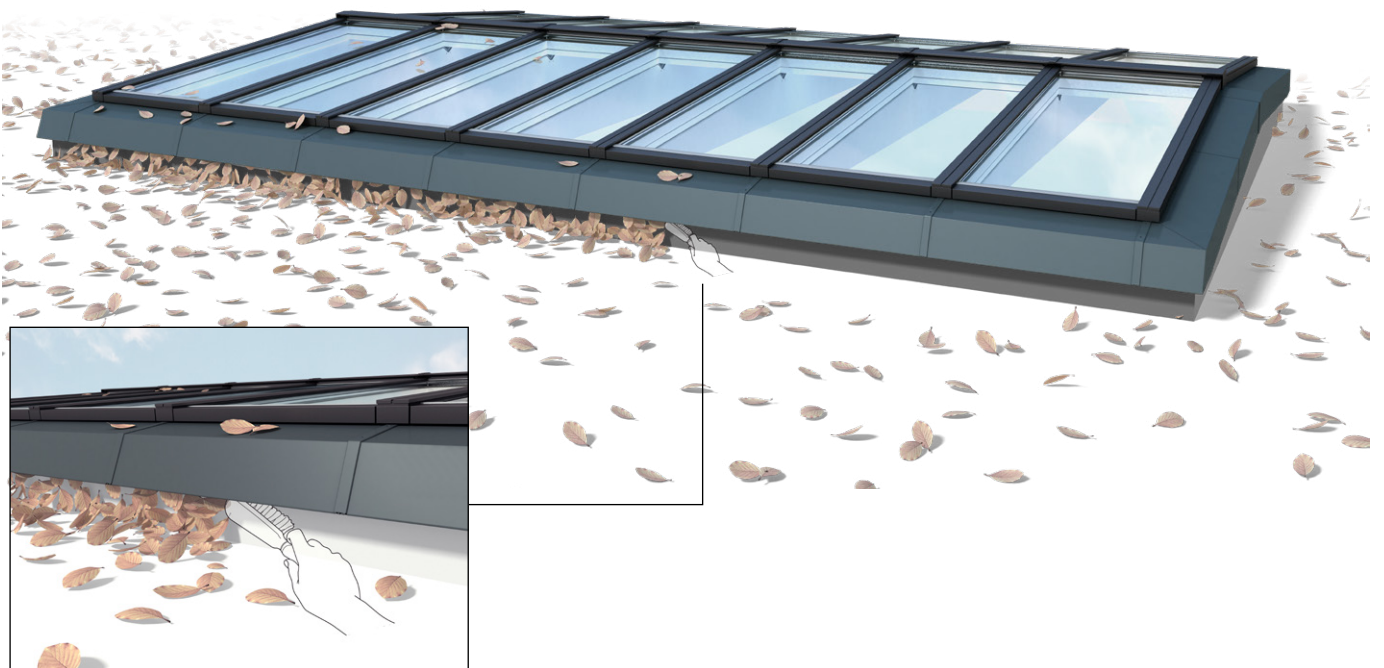
Using the right cleaning tools makes the job both fast and easy.

It is recommended to have the modules cleaned by a professional, as they will have the right tools to clean the modules without stepping on them.

External Maintenance and Cleaning

Cleaning of / around the skylights

The flashing and panes should be cleared of leaves and other debris, since they might prevent the modules from closing. It is important to be certain that rain and melting snow can be drained away from the skylights. To allow free passage, it is important to remove snow, ice, and leaves etc. from around the flashing.



External Maintenance and Cleaning

Safety during maintenance

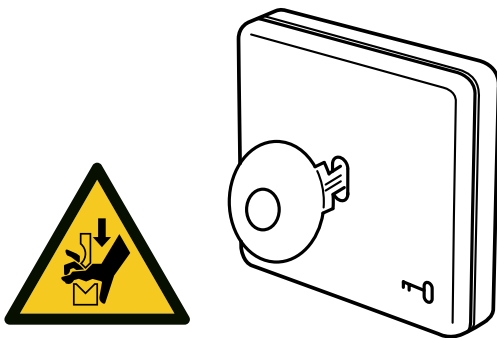
During cleaning/servicing of the skylights the power to the modules must be switched off in such a way that it cannot be switched on by accident. One way of doing this is to install a key switch which will allow the service technician to temporarily disconnect the power to the skylights.

Please also consider all other relevant Health & Safety legislation whilst working around VELUX modular skylights

Please note that standing directly on the pane is strictly forbidden.

Function test

It is recommended to carry out a function test of the skylights at least once a year and to make sure that they open correctly.



Internal Maintenance and Cleaning

VELUX modular skylights can be used in most buildings. However, it is important to note that in areas of high humidity a condensation may occur.

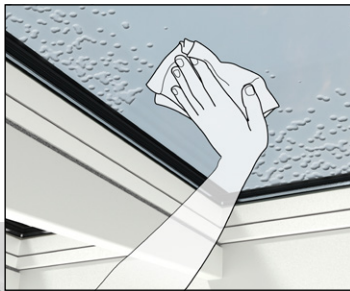
Condensation occurs naturally when there is high humidity in a building, if there is a great difference between indoor and outdoor temperatures, or if humidity and temperature differences occur over a longer period of time. Condensation can form on the pane and bottom of the frame. If it builds up, it can sometimes drip down from the skylight. The skylight will not be damaged by condensation.

The relative humidity of the room and also the risk of condensation can be reduced by regular ventilation, either by opening doors or windows, or by mechanical ventilation.

Another option is to place heat sources near the modules. The heat source creates air circulation in the room and raises the surface temperature of the skylight. The higher surface temperature decreases the risk of condensation.

Besides being aware of the above, the risk of condensation can also be decreased by choosing a pane with good insulation properties. A better insulated pane will have a higher inside surface temperature, which will minimise the risk of the warm, humid air condensing on the inside.

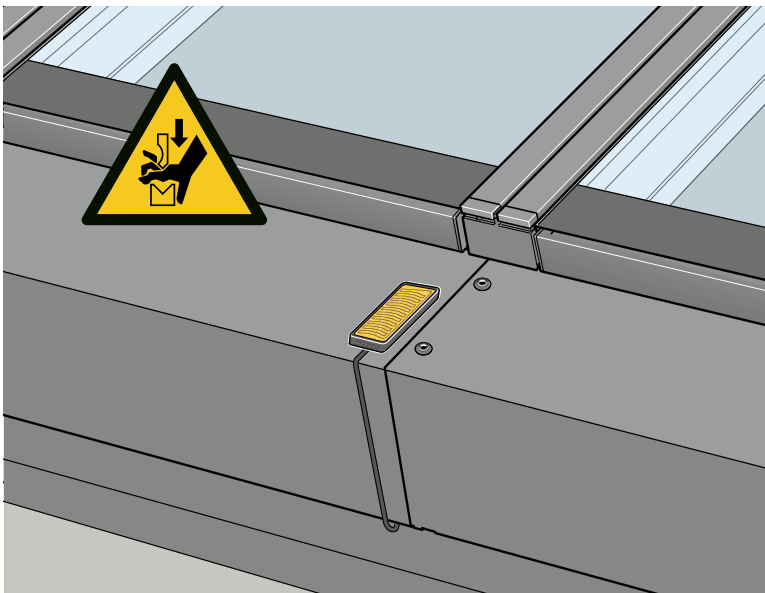
When condensation occurs on the skylight it can be removed with a soft, clean, lint-free cloth/chamois leather/non-abrasive sponge or a clean, non-metal window squeegee.



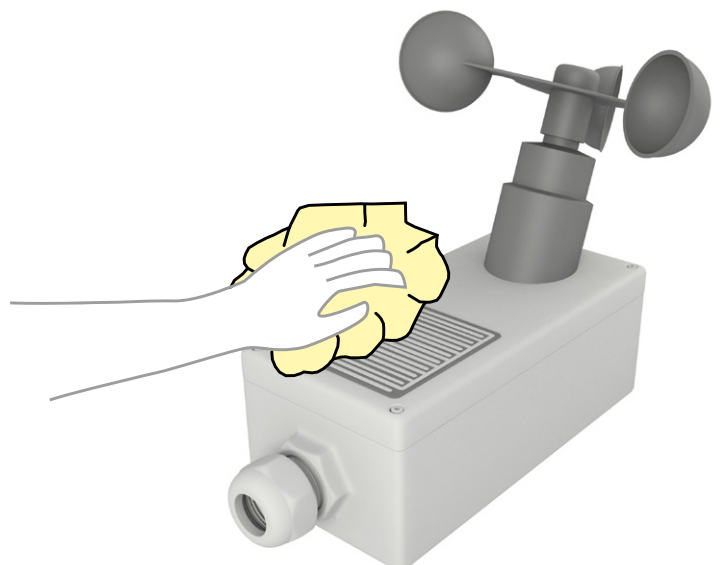
Maintenance and Cleaning of rain sensors KLA 200 and KLA 105

Maintenance and cleaning

- It is recommended to carry out at least one functional test annually to ensure that the sensor closes the modules when wet.
- Dirt or salt deposits on the sensor may cause operating problems. Therefore, it is recommended to clean the sensor with a soft wet cloth once or twice a year or when required.
- If mains cable or any other cable is damaged, it must be replaced by qualified personnel in accordance with national regulations.
- It is recommended that VELUX service engineers carry out any repair work to the VELUX modular skylight or VELUX electrical components.
- Spare parts are available through your VELUX sales company.
- Please provide information from the data label.
- If you have any technical questions, please contact your VELUX Commercial sales company, see telephone list or www.veluxcommercial.com.



KLA 200

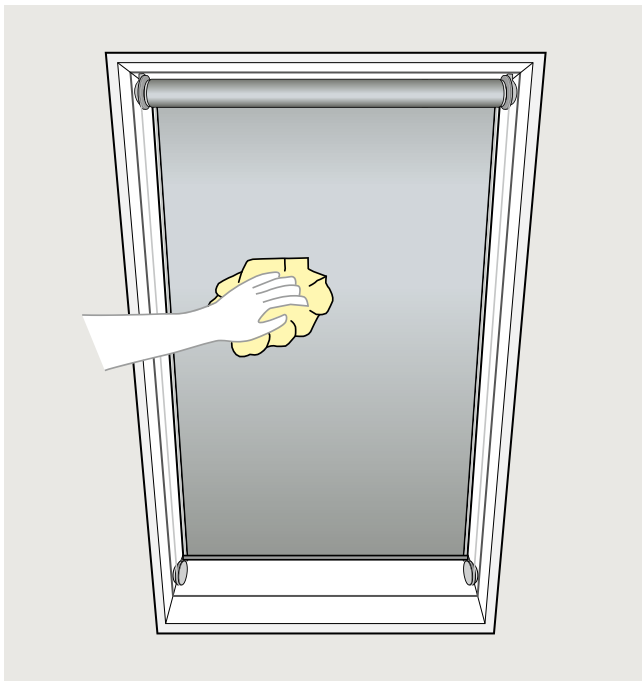


KLA 105

Maintenance and cleaning of RMM

Maintenance

- The roller blind requires a minimal amount of maintenance. The surface may be cleaned with a soft, damp cloth.
- Maintenance and installation must be carried out in consideration of Health and Safety at Work requirements.
- Spare parts are available through your VELUX sales company. Please provide information from the data label.
- If you have any technical questions, please contact your VELUX sales company, see telephone list or www.velux.com.



Daily operation



After sale

A number of tools and accessories are available to help optimise your solution if you should have any further requirements.

User guidance

To maximise performance output, it is sometimes necessary to educate the users about the properties of the solution and train elected employees, to operate the skylights.

Product service

Should the system, for some reason, require professional service, our team of VELUX service technicians will do all they can to solve the problem to everyone's satisfaction.

Guarantee

Our modular skylights and flashings are supported by a 10-year guarantee. Blinds, actuators and other electrical components that are a part of the modular system come with a 3-year guarantee. The guarantee is subject to correct installation and usage.



Guarantee conditions can be found at:

[veluxcommercial.com](https://www.veluxcommercial.com)



VELUX Group
VELUX Commercial
Breettevej 20
2970 Hørsholm
Denmark

Email: vms@velux.com
Web: veluxcommercial.com
Blog: commercial.velux.com/blog

Bringing light to life

VELUX®

Commercial