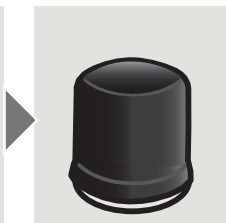
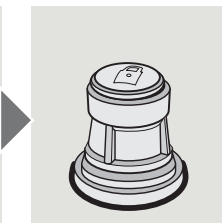
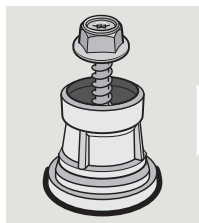
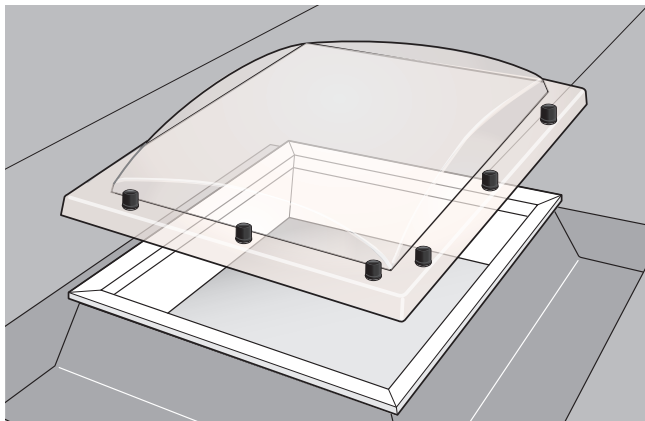


VELUX®

ISJ



VAS 454690-2020-10

The logo consists of the word "VELUX" in a bold, white, sans-serif font, with a registered trademark symbol (®) to its upper right. The text is set against a solid black rectangular background.

AT: VELUX Österreich GmbH
02245/32 3 50

BE: VELUX Belgium
(010) 42.09.09

CH: VELUX Schweiz AG
062 289 44 45

DE: VELUX Deutschland GmbH
040 / 54 70 70

FR: VELUX France
0806 80 15 15
Service gratuit + prix appel

GB: VELUX Company Ltd.
01592 778 225

www.velux.com